

Are you emergency power ready?

The Powertron® Tap Box makes your facility “emergency power ready,” avoiding the clumsy, costly and time consuming process of connecting temporary power. The installation of a Powertron® Tap Box allows you to:



- Establish a quick connection during power outages and load banking
- Predetermine load requirements, generator sizing and cable lengths
- Identify proper location for the temporary generator; minimizing disruption
- Improve safety and security by eliminating exposed cables and clutter

**NEMA 3R
OUTDOOR RATED**



Technical Data

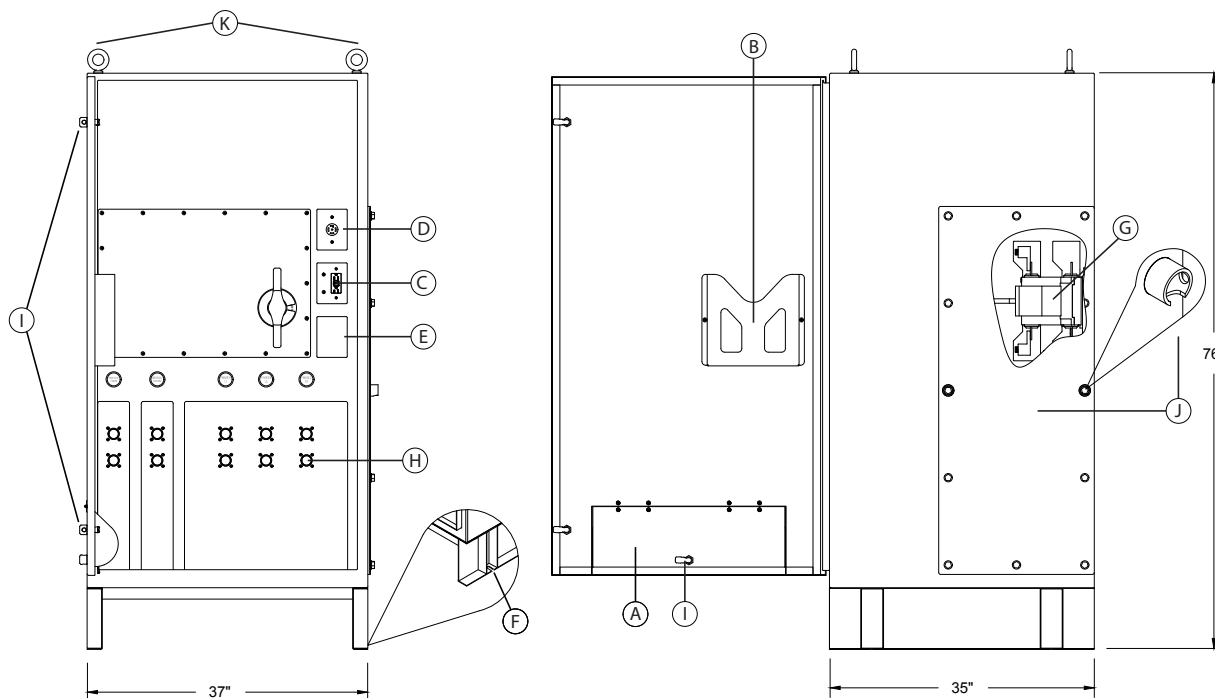
| | |
|---|--|
| Rating | 800 Amps, 120/208 VAC, 120/240 VAC, 277/480 VAC, or 347/600 VAC, 3 Phase or 4 Pole |
| Enclosure | Pad mount, mild steel or stainless steel, weather tight enclosure by Hoffman® |
| Dimensions | 76.0"H x 37.0"W x 35.0"D |
| Incoming Utility Power Connection | Connect to MTS lug, see detail G on back side |
| Completed Assembly Safety Agency Approved | cULus Listed 1008 Control # 47HY Product ID: Enclosed Power Inlet |

Key Features and Benefits

| | |
|-------------------------------|--|
| Security and Safety | Powertron's® Trapped Cable Door adds security and safety while the generator cables are connected to the tap box. Additional features such as the KIRK® Key field assembled kit and lockable door also provides greater security and safety. |
| Cold Weather Startup | GFCI receptacle allows power to be provided safely to a generator block heater and battery charger for cold weather operation. |
| Automatic Startup | During inclement weather conditions or during a load bank test, the Start/Stop terminals enable your mobile generator to standby to automatically restore power to your facility when using an Automatic Transfer Switch. |
| Backup Power Contingency Plan | Provides your business the ability to have an emergency back power contingency plan into your facility. |
| Harsh Weather Protection | Engineered and tested to withstand the toughest conditions. Features of the enclosure such as the trapped cable door adds protection during inclement weather conditions. |
| Uncompromising Quality | Engineered and assembled with the highest quality components from the most respected and leading manufacturers in their industry. |

UL Listed & Registered Quality Components from





Enclosure Specifications

| Type | Height | Width | Depth | Material | Color/Finish | Unit Weight | Shipping Weight |
|---------|--------|-------|-------|-----------------|-------------------------|-------------|-----------------|
| NEMA 3R | 76.0" | 37.0" | 35.0" | Mild Steel | Powder Coat Light Ivory | XX | XX |
| | | | | Stainless Steel | Clear Brushed Finish | XX | XX |

Standard Components

| | |
|---|--|
| A | Trapped Cable Door |
| B | Owner's Manual Holder |
| C | Remote Start/Stop Terminals & GFCI 20 Amp Receptacle |
| D | 50 Amp Twist-Lock Receptacle |
| E | Cover Plate Shall Only Be Removed When Installing Powertron® Phase Rotation Monitor |
| F | Pad Mounting Layout Estimated Opening – 0.50" dia. 36.0"W X 23.75"D |
| G | Manual Transfer Switch: connection point mechanical lug 2 AWG to 600 KCMIL per phase |
| H | Series 16, 400 Amp, 600 VAC, Single Pole Cam-Lock Receptacle |
| I | Key Lock Handle (3X) |
| J | Utility Side Door Secured with Penta Bolts & (2X) Pad Lock Provisions (Penta Socket Included & Pad Locks not Included) |
| K | Eye Lifting Hooks |

KIRK® KEY TRAPPED DOOR LOCK

FIELD ASSEMBLED KIT (Not Included)

| Part Number | Description | Kit Includes |
|--------------------|------------------------|---|
| TBQC-KIRKF9831-001 | Single Barrell Opening | Mounting Bracket, Hardware & Instructions |
| TBQC-KIRKF9831-002 | Double Barrell Opening | Mounting Bracket, Hardware & Instructions |

PHASE ROTATION MONITOR

FIELD ASSEMBLED KIT (Not Included)

| Part Number | Description | Kit Includes |
|------------------|--|--|
| TBQC-MONITOR-KT2 | For 240V to 600V Tap Boxes Only (208V not available) | Relay Module, Cable Leads & Instructions |

Ordering Information

Example TBQCM08-MPMS480-3P

| TBQCM | | 08 | | ENCLOSURE TYPE | | VOLTAGE | | # OF POLES | |
|--------|---------------|----------|---------|----------------|----------------------------------|---------|-----------|------------|------------------------|
| SERIES | CAM-LOCK TYPE | AMPERAGE | 800 Amp | MPMS | MEDIUM PAD MOUNT MILD STEEL | 208 | 208Y/120V | 3P | 3 PHASE, 3 POLE/3 WIRE |
| TBQCM | MTS | M Male | 08 | MPSS | MEDIUM PAD MOUNT STAINLESS STEEL | 240 | 240/120V | 4P | 4 POLE/4 WIRE |
| | | F Female | | | | 480 | 480Y/277V | | |
| | | | | | | 600 | 600Y/347V | | |

| Voltage | Ground | Neutral | L1 | L2 | L3 | # of Rows |
|----------|--------|---------|-----|-----|-----|-----------|
| 208Y/120 | GRN | WHT | BLK | RED | BLU | x2 Rows |
| 240/120 | GRN | WHT | BLK | RED | BLU | x2 Rows |
| 480Y/277 | GRN | WHT | BRN | ORG | YEL | x2 Rows |
| 600/347 | GRN | WHT | BLK | RED | BLU | x2 Rows |

POWERTRON® Tap Box Warranty and Terms and Conditions of Sale are available upon request or at www.powertronsolutions.com