

## Are you emergency power ready?

The Powertron® Tap Box makes your facility “emergency power ready,” avoiding the clumsy, costly and time consuming process of connecting temporary power. The installation of a Powertron® Tap Box allows you to:



- Establish a quick connection during power outages and load banking
- Predetermine load requirements, generator sizing and cable lengths
- Identify proper location for the temporary generator; minimizing disruption
- Improve safety and security by eliminating exposed cables and clutter

**NEMA 3R  
OUTDOOR RATED**



### Technical Data

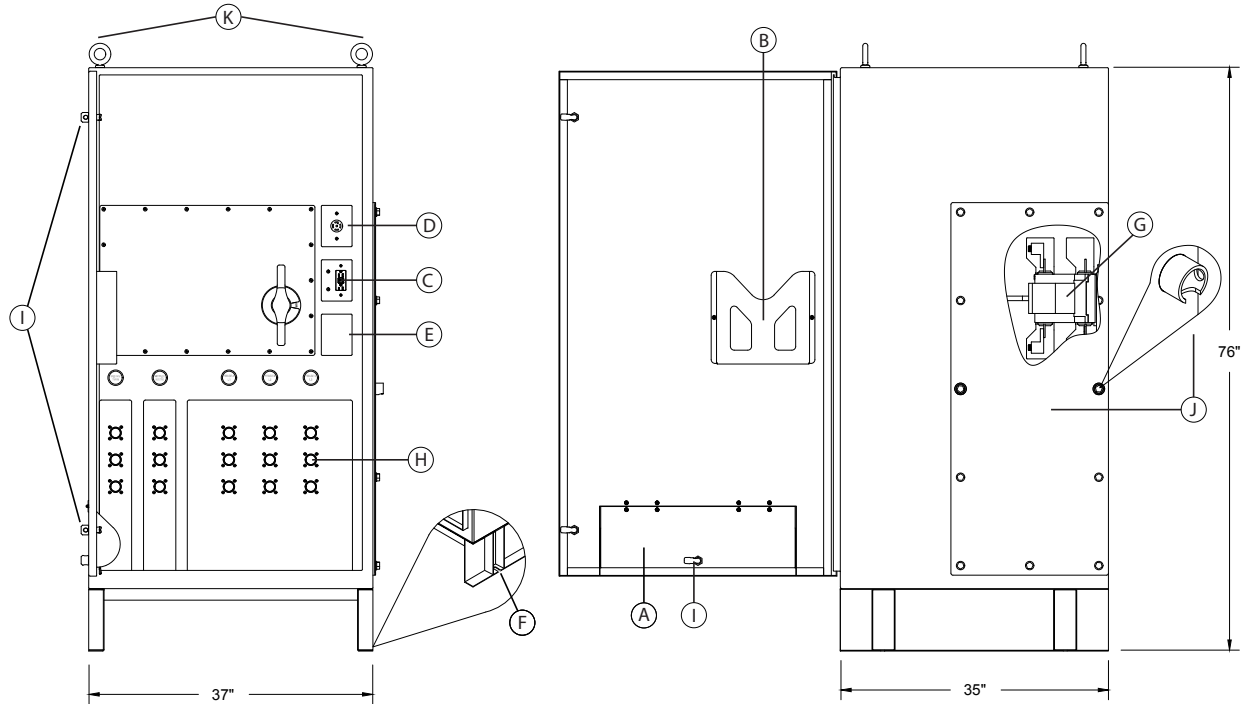
Rating	1200 Amps, 120/208 VAC, 120/240 VAC, 277/480 VAC, or 347/600 VAC, 3 Phase or 4 Pole
Enclosure	Pad mount, mild steel or stainless steel, weather tight enclosure by Hoffman®
Dimensions	76.0"H x 37.0"W x 35.0"D
Incoming Utility Power Connection	Connect to MTS lug, see detail G on back side
Completed Assembly Safety Agency Approved	cULus Listed 1008   Control # 47HY   Product ID: Enclosed Power Inlet

### Key Features and Benefits

Security and Safety	Powertron's® Trapped Cable Door adds security and safety while the generator cables are connected to the tap box. Additional features such as the KIRK® Key field assembled kit and lockable door also provides greater security and safety.
Cold Weather Startup	GFCI receptacle allows power to be provided safely to a generator block heater and battery charger for cold weather operation.
Automatic Startup	During inclement weather conditions or during a load bank test, the Start/Stop terminals enable your mobile generator to standby to automatically restore power to your facility when using an Automatic Transfer Switch.
Backup Power Contingency Plan	Provides your business the ability to have an emergency back power contingency plan into your facility.
Harsh Weather Protection	Engineered and tested to withstand the toughest conditions. Features of the enclosure such as the trapped cable door adds protection during inclement weather conditions.
Uncompromising Quality	Engineered and assembled with the highest quality components from the most respected and leading manufacturers in their industry.

UL Listed & Registered Quality Components from





**Enclosure Specifications**

Type	Height	Width	Depth	Material	Color/Finish	Unit Weight	Shipping Weight
NEMA 3R	76.0"	37.0"	35.0"	Mild Steel	Powder Coat Light Ivory	XX	XX
				Stainless Steel	Clear Brushed Finish	XX	XX

**Standard Components**

- A Trapped Cable Door
- B Owner's Manual Holder
- C Remote Start/Stop Terminals & GFCI 20 Amp Receptacle
- D 50 Amp Twist-Lock Receptacle
- E Cover Plate Shall Only Be Removed When Installing Powertron® Phase Rotation Monitor
- F Pad Mounting Layout Estimated Opening – 0.50" dia. 36.0"W X 23.75"D
- G Manual Transfer Switch: connection point mechanical lug 2 AWG to 600 KCMIL per phase
- H Series 16, 400 Amp, 600 VAC, Single Pole Cam-Lock Receptacle
- I Key Lock Handle (3X)
- J Utility Side Door Secured with Penta Bolts & (2X) Pad Lock Provisions (Penta Socket Included & Pad Locks not Included)
- K Eye Lifting Hooks

**KIRK® KEY TRAPPED DOOR LOCK**

FIELD ASSEMBLED KIT (Not Included)

Part Number	Description	Kit Includes
TBQC-KIRKF9831-001	Single Barrell Opening	Mounting Bracket, Hardware & Instuctions
TBQC-KIRKF9831-002	Double Barrell Opening	Mounting Bracket, Hardware & Instuctions

**PHASE ROTATION MONITOR**

FIELD ASSEMBLED KIT (Not Included)

Part Number	Description	Kit Includes
TBQC-MONITOR-KT2	For 240V to 600V Tap Boxes Only (208V not available)	Relay Module, Cable Leads & Instructions

**Ordering Information**

Example TBQCM12-MPMS480-3P

TBQCM	SERIES		CAM-LOCK TYPE	AMPERAGE	ENCLOSURE TYPE	VOLTAGE	# OF POLES
TBQCM	MTS	M	Male	12	MPMS	208 208Y/120V	3P 3 PHASE, 3 POLE/3 WIRE
		F	Female	1200 Amp	MPSS	240 240/120V	4P 4 POLE/4 WIRE
						480 480Y/277V	
						600 600Y/347V	

Voltage	Ground	Neutral	L1	L2	L3	# of Rows
208Y/120	GRN	WHT	BLK	RED	BLU	x3 Rows
240/120	GRN	WHT	BLK	RED	BLU	x3 Rows
480Y/277	GRN	WHT	BRN	ORG	YEL	x3 Rows
600/347	GRN	WHT	BLK	RED	BLU	x3 Rows

POWERTRON® Tap Box Warranty and Terms and Conditions of Sale are available upon request or at [www.powertronsolutions.com](http://www.powertronsolutions.com)