

## Are you emergency power ready?

The Powertron® Tap Box makes your facility “emergency power ready,” avoiding the clumsy, costly and time consuming process of connecting temporary power. The installation of a Powertron® Tap Box allows you to:



- Establish a quick connection during power outages and load banking
- Predetermine load requirements, generator sizing and cable lengths
- Identify proper location for the temporary generator; minimizing disruption
- Improve safety and security by eliminating exposed cables and clutter

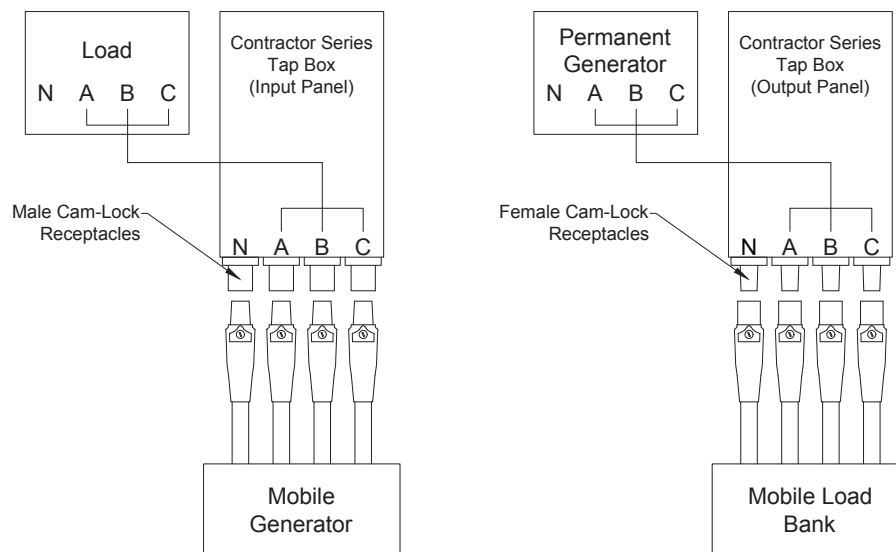
**NEMA 3R  
OUTDOOR RATED**

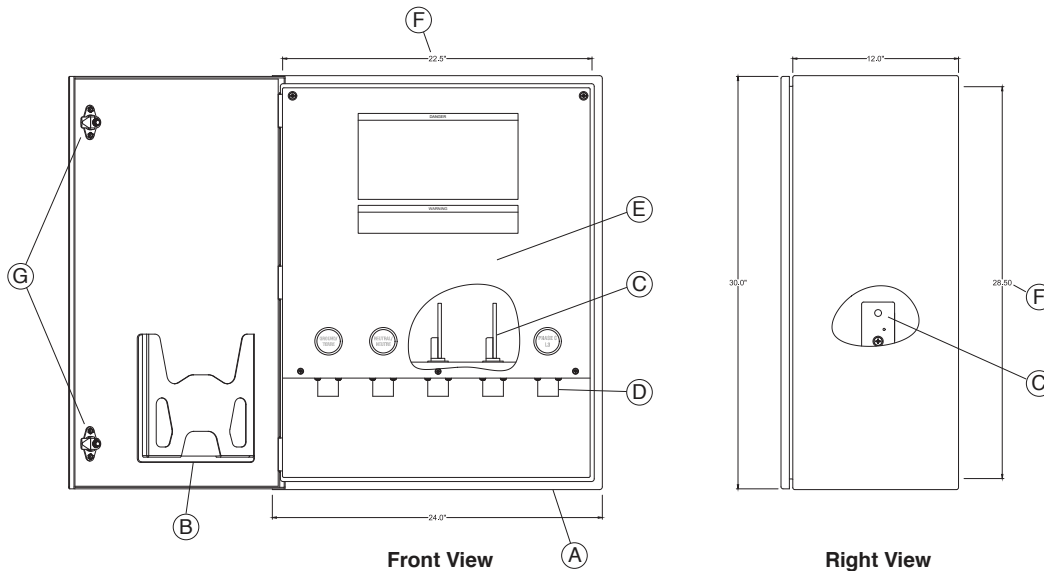


### Technical Data

Rating	400 Amps, 3 Phase, 4 Pole, 5 Wire, 208Y/120 VAC, 240/120 VAC, 480Y/277 VAC, or 600/347 VAC
Enclosure	Wall mount, mild steel or stainless steel, weather tight enclosure
Dimensions	30"H x 24"W x 12"D
Incoming Utility Power Connection	Tin plated copper bus bar
Completed Assembly Safety Agency Approved	cULus Listed 1008   Control # 47HY   Product ID: Enclosed Power Inlet cULus Listed 1773   Control # XCKT   Product ID: Enclosed Power Outlet
Short Circuit Rating	35,000kA

### Typical One Line Diagram (Input & Output Panels)





**Enclosure Specifications**

Type	Height	Width	Depth	Material	Color/Finish	Unit Weight	Shipping Weight
NEMA 3R	30"	24"	12"	Mild Steel	ANSI 61 Gray	80 lbs.	130 lbs.
				Stainless Steel	Clear Brushed Finish	80 lbs.	130 lbs.

**CABLE CONNECTORS** FIELD ASSEMBLED KIT (Not Included)

Lug Type	Available Cable Sizes	Kit Includes
Mechanical Lug	6 STR to 600 Kcmil	(5) Lugs & Hardware
Compression Lug	250 Kcmil to 600 Kcmil	(5) Lugs & Hardware

**Standard Components**

A	Trapped Cable Door with gravity plate to cover openings
B	Literature Holder <b>!</b> Read and follow the component manufacturer's instructions and warnings provided
C	(5X) Copper Bus Bar, Tin Plated per bus bar mounting holes 0.50" dia.
D	Series 16, 400 Amp, 600 VAC, Single Pole Cam-Lock Receptacle
E	Removable Panel Cover
F	Mounting Hole Pattern – (4X) 0.50" dia.
G	Quarter Turn Twist Lock Handle (Non-Locking)

**Ordering Information** **TBQCCM04-AWMS480**

<b>TBQCC</b>	<b>04</b>	<b>-</b>	<b>AWMS</b>	<b>208</b>	<b>208Y/120V</b>
SERIES	CAM-LOCK TYPE	AMPERAGE	ENCLOSURE TYPE	VOLTAGE	
TBQCC CONTRACTOR	M Male F Female	04 400 Amp	AWMS A WALL MOUNT MILD STEEL AWSS A WALL MOUNT STAINLESS STEEL	240	240/120V
				480	480Y/277V
				600	600Y/347V

Voltage	Ground	Neutral	L1	L2	L3	# of Rows
208Y/120	GRN	WHT	BLK	RED	BLU	x1 Row
240/120	GRN	WHT	BLK	RED	BLU	x1 Row
480Y/277	GRN	WHT	BRN	ORG	YEL	x1 Row
600/347	GRN	WHT	BLK	RED	BLU	x1 Row

POWERTRON® Tap Box Warranty and Terms and Conditions of Sale are available upon request or at [www.powertronsolutions.com](http://www.powertronsolutions.com)